

NON-ROTATING

0,1µm



UNIVERSAL ANVILS SET INCLUDES

NON-ROTATING
0-50MM RANGE

0,5µm



UNIVERSAL ANVILS SET INCLUDES

COMPUTERIZED MICS SYSTEM MAIN FUNCTIONS

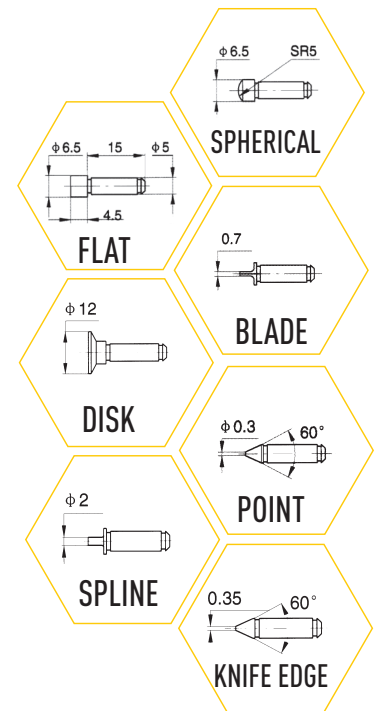
<p>ANALOG SCALE</p>	<p>COLOR GO / NOGO</p>	<p>COLOR MAX / MIN / RANGE</p>	<p>TIMER</p>	<p>TOUCH PROBE SETTINGS</p>	<p>FORMULA Ax^2+Bx+C</p>
<p>GRAPHIC MODE 1D/2D</p>	<p>MEMORY 2000 values</p>	<p>FOLDERS mode</p>	<p>MEMORY STATISTICS</p>	<p>TEMPERATURE COMPENSATION</p>	<p>PASSWORD</p>
<p>DISPLAY & ENERGY</p>	<p>RESOLUTION, mm/inch</p>	<p>WIRELESS to MDS app</p>	<p>WIRELESS & USB HID</p>	<p>HUB mode (2D, Probe)</p>	<p>DEVICE INFO, UPDATE</p>

- Industry 4.0 adopted DOUBLE range Universal micrometer with computerized MICS system with 2,4" color Touchscreen
- Modification: **STANDARD** range (25mm) or **WIDE RANGE (50mm) SWISS** reading system
- Functions: On-line Graphic, Analog scale, Go/NoGo, Max/Min, Formula, Timer, Linear correction, Temperature correction
- Measuring HUB: Wireless MICROTECH instrument connection, Synchronization, 2D mode, 2D Graph, Probe mode, Compensation
- Memory manager: 2000 values, Folders system, Statistics mode, Memory data transfer
- INCLUDE 7 pairs of interchangeable anvils (Flat, Spherical, Disk, Blade, Point, Spline, Knife edge). Custom anvils for request
- **4 MODES DATA TRANSFER**: WIRELESS to MDS app (Windows, Android, iOS, MacOS); WIRELESS HID, WIRELESS HID+MAC, USB HID
- OPTIONAL MODBUS RTU data output (RS-485, 4-wire, 5-24V, GND, A, B) for industrial connections
- Calibration certificate included (ISO17025 (Ilac MRA))

UNIVERSAL COMPUTERIZED MICROMETER

Item No	Range		Resol.	Accur.	NON-ROTATING	Analog scale	Graphic	Preset	Go/NoGo	Max/Min	Formula	Timer	Temp comp	Linear corr	Calibr date	Recharge	Memory	WIRELESS	USB	MODBUS		
	mm	inch																			mm	µm
110750258	0-25	0-1"	0,0001	±3	•	•	•	•	•	•	•	•	•	•	•	•	•	•	•	•	•	
110750508	25-50	1-2"		±3	•	•	•	•	•	•	•	•	•	•	•	•	•	•	•	•	•	•
110750758	50-75	2-3"		±4	•	•	•	•	•	•	•	•	•	•	•	•	•	•	•	•	•	•
110751008	75-100	3-4"		±4	•	•	•	•	•	•	•	•	•	•	•	•	•	•	•	•	•	•
110751258	100-125	4-5"		±5	•	•	•	•	•	•	•	•	•	•	•	•	•	•	•	•	•	•
110751508	125-150	5-6"		±5	•	•	•	•	•	•	•	•	•	•	•	•	•	•	•	•	•	•
110751758	150-175	6-7"		±6	•	•	•	•	•	•	•	•	•	•	•	•	•	•	•	•	•	•
110752008	175-200	7-8"		±7	•	•	•	•	•	•	•	•	•	•	•	•	•	•	•	•	•	•

7 PAIRS OF ANVILS



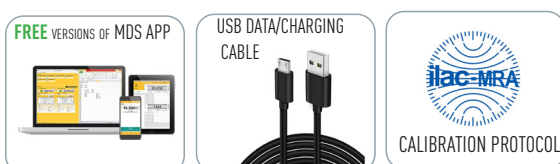
UNIVERSAL DOUBLE RANGE COMPUTERIZED MICROMETER

Item No	Range		Resol.	Accur.	NON-ROTATING	Analog scale	Graphic	Preset	Go/NoGo	Max/Min	Formula	Timer	Temp comp	Linear corr	Calibr date	Recharge	Memory	WIRELESS	USB	MODBUS RTU		
	mm	inch																			mm	µm
110750509	0-50	0-2"	0,0005	±2.5	•	•	•	•	•	•	•	•	•	•	•	•	•	•	•	•	•	
110751009	50-100	2-4"		±3	•	•	•	•	•	•	•	•	•	•	•	•	•	•	•	•	•	•
110751509	100-150	4-6"		±4	•	•	•	•	•	•	•	•	•	•	•	•	•	•	•	•	•	•
110752009	150-200	6-8"		±6	•	•	•	•	•	•	•	•	•	•	•	•	•	•	•	•	•	•
110752509	200-250	8-10"		±6	•	•	•	•	•	•	•	•	•	•	•	•	•	•	•	•	•	•
110753009	250-300	10-12"		±6	•	•	•	•	•	•	•	•	•	•	•	•	•	•	•	•	•	•
110753509	300-350	12-14"		±7	•	•	•	•	•	•	•	•	•	•	•	•	•	•	•	•	•	•
110754009	350-400	14-16"		±7	•	•	•	•	•	•	•	•	•	•	•	•	•	•	•	•	•	•
110754509	400-450	16-18"		±8	•	•	•	•	•	•	•	•	•	•	•	•	•	•	•	•	•	•
110755009	450-500	18-20"		±8	•	•	•	•	•	•	•	•	•	•	•	•	•	•	•	•	•	•
110755509	500-550	20-22"		±9	•	•	•	•	•	•	•	•	•	•	•	•	•	•	•	•	•	•
110756009	550-600	22-24"		±9	•	•	•	•	•	•	•	•	•	•	•	•	•	•	•	•	•	•
110756509	600-650	24-26"		±10	•	•	•	•	•	•	•	•	•	•	•	•	•	•	•	•	•	•
110757009	650-700	26-28"		±10	•	•	•	•	•	•	•	•	•	•	•	•	•	•	•	•	•	•
110757509	700-750	28-30"		±10	•	•	•	•	•	•	•	•	•	•	•	•	•	•	•	•	•	•
110758009	750-800	30-32"		±10	•	•	•	•	•	•	•	•	•	•	•	•	•	•	•	•	•	•
110758509	800-850	32-34"		±11	•	•	•	•	•	•	•	•	•	•	•	•	•	•	•	•	•	•
110759009	850-900	34-36"		±11	•	•	•	•	•	•	•	•	•	•	•	•	•	•	•	•	•	•
110759509	900-950	36-38"	±12	•	•	•	•	•	•	•	•	•	•	•	•	•	•	•	•	•	•	
110759909	950-1000	38-40"	±12	•	•	•	•	•	•	•	•	•	•	•	•	•	•	•	•	•	•	

DOWNLOAD APP



COMPLECTATION



OPTIONAL





**NON-ROTATING
0-50MM RANGE**



Modbus RTU
OPTIONAL MODBUS ASCII, MODBUS TCP/IP

UNIVERSAL ANVILS SET INCLUDES

COMPUTERIZED MICS SYSTEM MAIN FUNCTIONS

<p>ANALOG SCALE</p>	<p>COLOR GO / NOGO</p>	<p>COLOR MAX / MIN / RANGE</p>	<p>TIMER</p>	<p>TOUCH PROBE SETTINGS</p>	<p>FORMULA Ax^2+Bx+C</p>
<p>GRAPHIC MODE 10/2D</p>	<p>MEMORY 2000 values</p>	<p>FOLDERS mode</p>	<p>MEMORY STATISTICS</p>	<p>TEMPERATURE COMPENSATION</p>	<p>PASSWORD</p>
<p>DISPLAY & ENERGY</p>	<p>RESOLUTION, mm/inch</p>	<p>WIRELESS to MDS app</p>	<p>WIRELESS & USB HID</p>	<p>HUB mode (2D, Probe)</p>	<p>DEVICE INFO, UPDATE</p>

- Industry 4.0 adopted sub-micron Tablet micrometer with computerized MICS system with 2.4" color Touchscreen
- **STANDARD** range (25mm) or **WIDE RANGE (50mm) with NON-ROTATING SPINDLE**
- Bench configuration for laboratory using
- **Functions:** On-line Graphic, Analog scale, Go/NoGo, Max/Min, Formula, Timer, Linear correction, Temperature correction
- **Measuring HUB:** Wireless MICROTECH instrument connection, Synchronization, 2D mode, 2D Graph, Probe mode, Compensation
- **Memory manager:** 2000 values, Folders system, Statistics mode, Memory data transfer
- **INCLUDE 7 pairs** of interchangeable anvils (Flat, Spherical, Disk, Blade, Point, Spline, Knife edge). Custom anvils for request
- **4 MODES DATA TRANSFER:** WIRELESS to MDS app (Windows, Android, iOS, MacOS); WIRELESS HID, WIRELESS HID+MAC, USB HID
- Modification MODBUS RTU data output (RS-485, 4-wire, 5-24V, GND, A, B) for industrial connections
- Top quality Aluminium housing (CNC machined solid block)
- Calibration certificate included (ISO17025 (Ilac MRA))

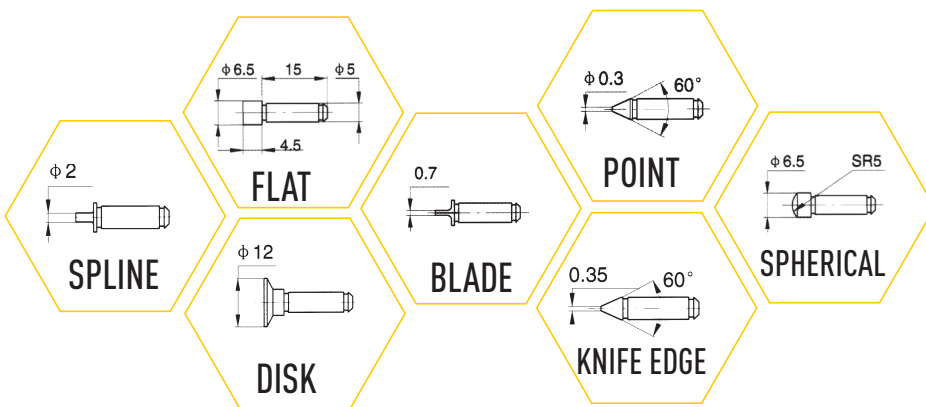
UNIVERSAL LABORATORY BENCH TABLET MICROMETER

Item No	Range		Resol.	Accur.	Anvils set	Non-rotating	Analog scale	Graphic	Preset	Go/NoGo	Max/Min	Formula	Timer	Temp comp	Linear corr	Calibr date	Recharge	Memory	WIRELESS	USB	
	mm	inch	mm	µm																	
110750298	0-25	0-1"	0,0001	±2	7 pairs	•	•	•	•	•	•	•	•	•	•	•	•	•	•	•	•
110750598	0-50	0-2"	0,0005	±2		•	•	•	•	•	•	•	•	•	•	•	•	•	•	•	•

UNIVERSAL LABORATORY BENCH TABLET MICROMETER

Item No	Range		Resol.	Accur.	Anvils set	Non-rotating	Analog scale	Graphic	Preset	Go/NoGo	Max/Min	Formula	Timer	Temp comp	Linear corr	Calibr date	Recharge	Memory	WIRELESS	USB	MODBUS RTU	MODBUS ASCII	MODBUS TCP/IP	
	mm	inch	mm	µm																				
110750298M	0-25	0-1"	0,0001	±2	7 pairs	•	•	•	•	•	•	•	•	•	•	•	•	•	•	•	•	•	optional	optional
110750598M	0-50	0-2"	0,0005	±2		•	•	•	•	•	•	•	•	•	•	•	•	•	•	•	•	•	•	optional

7 PAIRS OF ANVILS



DOWNLOAD APP



COMPLECTATION

FREE VERSIONS OF MDS APP

USB DATA/CHARGING CABLE

CALIBRATION PROTOCOL

OPTIONAL

IOT DATA BUTTON

MDS SOFTWARE

STANDARD MDS app

IOT DISPLAY UNIT

Modbus RTU