

- Industry 4.0 adopted sub-micron Computerized dial comparator with 0.1 micron resolution
- Functions: Go/NoGo, Max/Min, Formula, Timer, Linear correction, Temperature correction, Resolution selecting, Connection status
- Memory manager: 2000 values, Folders system, Statistics mode, Memory data transfer
- Quick reading system (50 value/sec)
- **4 MODES DATA TRANSFER:** WIRELESS to MDS app (Windows, Android, iOS, MacOS); WIRELESS HID, WIRELESS HID+MAC, USB HID
- Calibration certificate included (ISO17025 (Ilac MRA))



DOWNLOAD APP



Item No	Range	Resolution	Accuracy	Force	Stem D	Preset	Go/NoGo	Max/Min	Formula	Timer	Linear corr	Calibr date	FW update	Recharge	Memory	WIRELESS	USB
	mm	mm	µm	N	mm												
120120288	0.03	0,0001	±0.5	1.8-2.2	28	•	•	•	•	•	•	•	•	•	•	•	•

0,1 µm

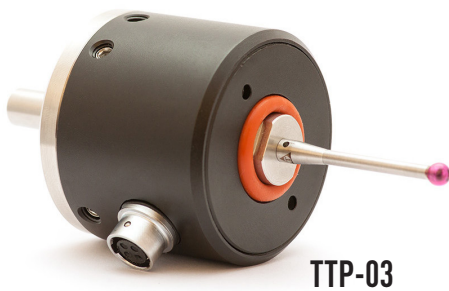
DIAL COMPARATOR

Item No	Range	Resolution	Accuracy	Force	Stem D
	mm	mm	µm	N	mm
120120280	0.03	0,001	±0.3	1.8-2.2	28

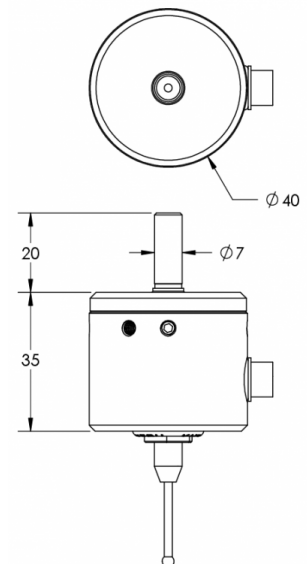


3D TOUCH TRIGGER PROBE

- Touch-trigger Probes for using in motorized height gauges
- Completed with stylus
- Intchangeable stylus



TTP-03



Item No	Type	Repeatability unidirect.	Force			Protection	Shank D	Stylus	Signal voltage
		µm	X	Y	Z				
121000012	TTP-03	2	1	1	5	IP64	7	Ruby D4mm, L31mm, M2.5	3-48