

- Digital thickness gauge with range up to 150mm and depth up to 800mm
- Micron Digital indicator IP65 proof with PRESET function
- Optional contact point or gauge configuration for request
- Calibration certificate included (ISO17025 (Ilac MRA))

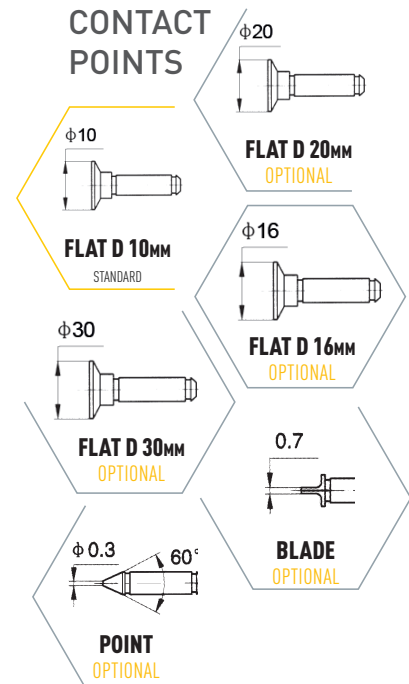


**CUSTOM RANGE AND DEPTH FOR REQUEST**



Item No	Range	Reso- lution	Accuracy	Depth	Contact points D	
					Standard	Optional
	mm	mm	µm	mm	mm	mm
137001028	0-1	0.001	±3	25	6,35	Flat d 12, 16, 20, 25, 30, 35, 40 Point D 0.3 Blade 0.7
137010128	0-10		±12	120	10	
137020128	0-20		±15	120		
137025208	0-25		±18	200		
137025408			±25	400		
137050208	0-50		±20	200		
137050308			±25	300		
137050408			±30	400		
137050608			±35	600		
137050808	0-100		±40	800		
137100208			±20	200		
137100408			±30	400		
137100608			±40	600		
137100808	0-150		±55	800		
137150408			±55	400		
137150808	150-300		±80	800		
137300408		±70	400			
137300808		±95	800			

## CONTACT POINTS



## OPTIONAL ACCESSORIES



120125000 USB HID DATA TRANSFER CABLE  
DIRECT DATA TRANSFER, LIKE A KEYBOARD